

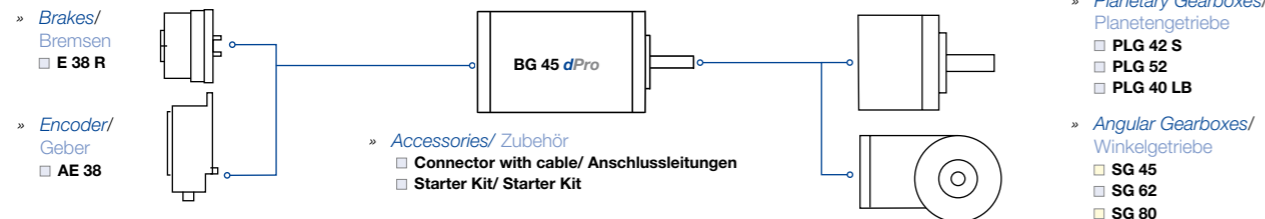
- » With integrated 4Q servo controller and high-resolution encoder system
- » Safe Torque Off
- » PROFINET variant „PN“: PROFINET certified, application classes 1 and 4, IRT capable
- » EtherCAT variant „EC“: CoE (CAN over EtherCAT), distributed clocks for real-time operation
- » Ethernet/IP variant „EI“: Integration in ControlLogix Studio, CIP Synch on request
- » Further information on page 18 ff. in this catalog as well as in the operating manual

Profinet version available	EtherCAT version available	EtherNet/IP version available	IO mode	Speed mode	Current mode	Positioning	Digital inputs configurable	Analog inputs	Digital outputs
4096 cpr	Brake output	Programmable	Service interface	Oscilloscope software	Smart Diagnostics	Digital label	Operating hours	Supply voltage versions	High efficiency
Protection class (up to)	Certification	Certification	Certification (>36 V only)	Sinusoidal vector control	Interpolation	SSI version available	Safe torque off version	S-Rampe	

Data preliminary/ Technische Daten vorläufig		BG 45x15 dPro PN/EC/EI			BG 45x30 dPro PN/EC/EI		
Nominal voltage/ Nennspannung	VDC	12	24	48	12	24	48
Nominal current/ Nennstrom	A ¹⁾	7.37	3.83	2	9.28	5.33	2.8
Nominal torque/ Nennmoment	Nm ²⁾	0.142	0.145	0.15	0.216	0.243	0.255
Nominal speed/ Nenn Drehzahl	rpm ³⁾	4480	4660	4720	3780	4010	4060
Maximum torque/ Maximales Moment	Nm ²⁾	tbd.	tbd.	tbd.	tbd.	tbd.	tbd.
No load speed/ Leerlauf Drehzahl	rpm ³⁾	5170	5160	5230	4260	4360	4370
Nominal output power/ Dauerabgabeleistung	W ³⁾	66.6	70.7	74	85.6	102.2	108.2
Maximum output power/ Maximale Abgabeleistung	W	tbd.	tbd.	tbd.	tbd.	tbd.	tbd.
Torque constant/ Drehmomentkonstante	Nm A ⁻¹ 3)	tbd.	tbd.	tbd.	tbd.	tbd.	tbd.
Peak current/ Zulässiger Spitzenstrom	A ³⁾	tbd.	tbd.	tbd.	tbd.	tbd.	tbd.
Voltage range/ Zulässiger Spannungsbereich	VDC	2...58	2...58	2...58	2...58	2...58	2...58
Rotor inertia/ Rotor Trägheitsmoment	gcm ²	24	24	24	44	44	44
Weight of motor/ Motorgewicht	kg	0,63	0,63	0,63	0,76	0,76	0,76

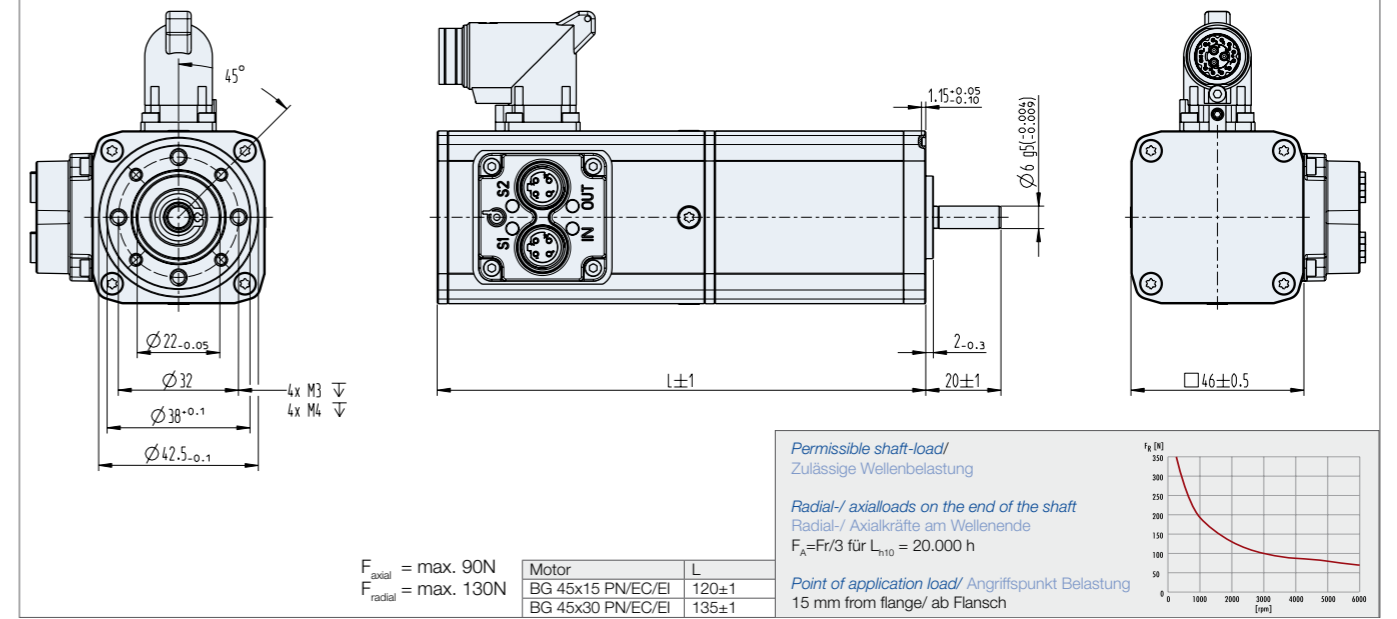
¹⁾ Δθw = 100 K; ²⁾ θ_r = 20°C ³⁾ at nominal point/ im Nennpunkt

Modular System/ Modulares Baukastensystem



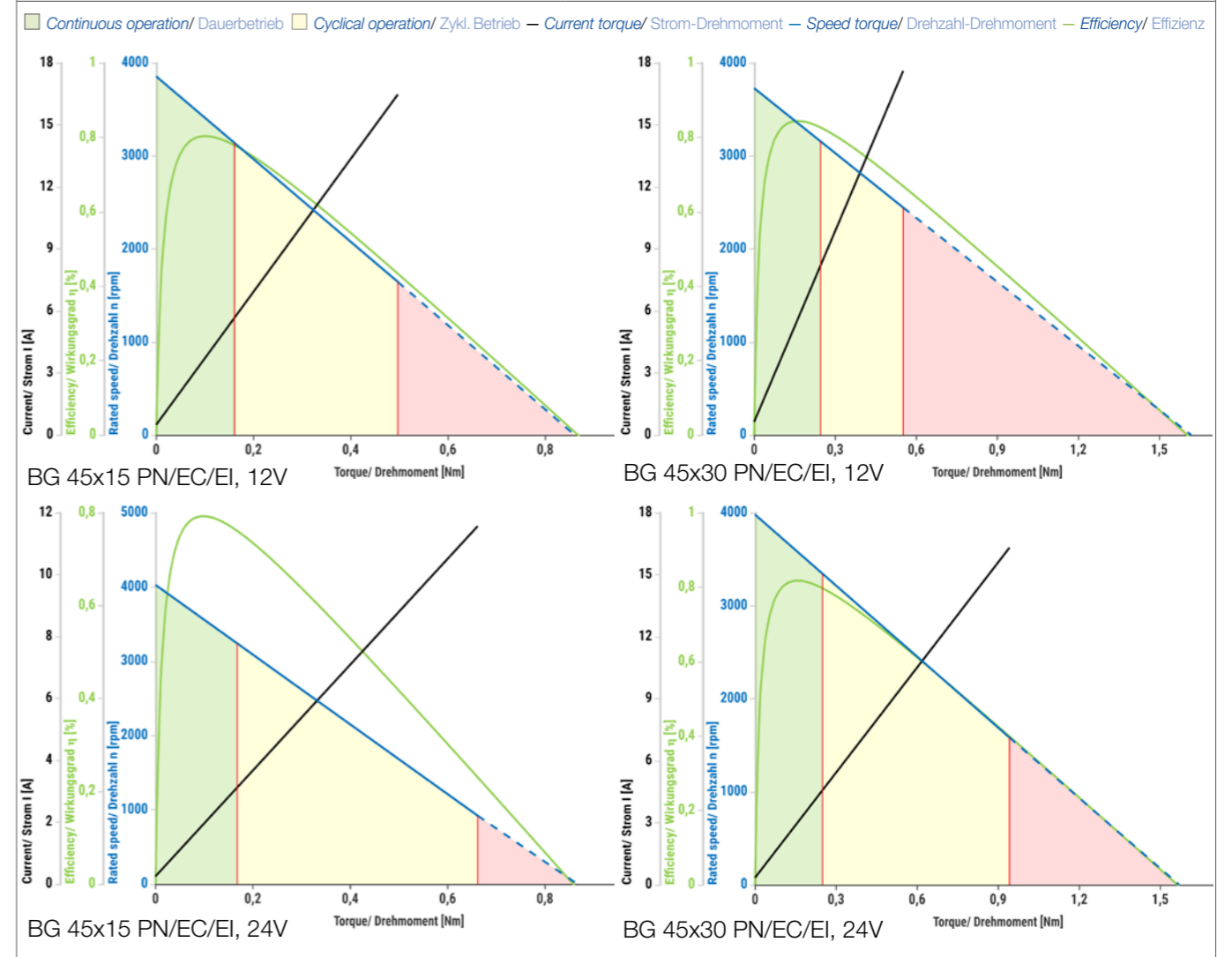
You can individually configure your suitable product and download technical data and drawings for the combination at www.dunkermotoren.com/en/configuration/.
 Unter www.dunkermotoren.de/konfigurator können Sie Ihr passendes Produkt individuell konfigurieren und technische Daten und Zeichnung für die Kombination herunterladen.

Dimensions in mm/ Maßzeichnung in mm



Characteristic diagram/ Belastungskennlinien

In accordance with/ Belastungskennlinien gezeichnet nach EN 60034



■ Preferred series/ Vorzugsreihe ■ Standard product/ Standardprodukt ■ On request/ auf Anfrage See notes page 8/ Hinweise siehe S. 8


Authorised, valued-added distributor


Australia & New Zealand



Powerbox Australia Pty Ltd

Sydney Head Office
4 Beaumont Road,
Mt Kuring-Gai, NSW 2080
Australia


 1800 251 380

 sales@powerbox.com.au

 powerbox.com.au

Powerbox Pacific Ltd

New Zealand Sales Office
1a Henry Rose Place,
Albany, Auckland
New Zealand 0632

 09 4158 320

 sales@powerbox.co.nz

 powerbox.co.nz